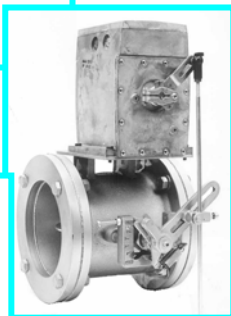
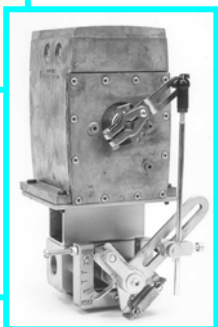




Fusar Bassini Astorre e C. Snc BUTTERFLY VALVES



DESCRIPTION

Butterfly valves are used for modulating air flow in low pressure gas combustion systems.

Standard versions are:

- **TYPE D:** manual flow control valve
- **TYPE LR:** rigid linkage
- **TYPE LM** predisposition for electric servomotor, with lever: device that allows an easy regulation fallow in the limits fixed by the screw of lock, without respect to the run of the servomotor.
- TYPE CP :** with linkage for pneumatic actuator

TECHNICAL DATA

- Diameter threaded connections: from 1/2" to 1"
- Diameter of flanged connection: da 1 1/4" a 12"
- Inside components: steel
- Adjustable limit stops for maximum and minimum flow
- Max fluid temperature: 150°C
- Max working pressure: 350 mbar
- Tight shaft: synthetic rubber
- Ample indicator of position
- Interchangeability with the servo-control

IMPORTANT

Butterfly valves shall not be used as a safety shutdown device.

CHOICE OF TYPE OF VALVE

For regulations to two positions choose the butterfly valve's diameter of the same dimensions of the air pipeline to the least of load through the valve.

For modulating regulations choose the butterfly valve's diameter a loss of load provokes of around the 15% of the air pressure to the entrance of the valve.

Fusar Bassini Astorre e C. Snc

GAS BURNERS AND COMPONENTS FOR COMBUSTION SYSTEMS

Via P.M. Ferrè, 14 -26013 CREMA (CR) Tel/Fax 0373-257594 web: www.fusarbassini.it e-mail: info@fusarbassini.it

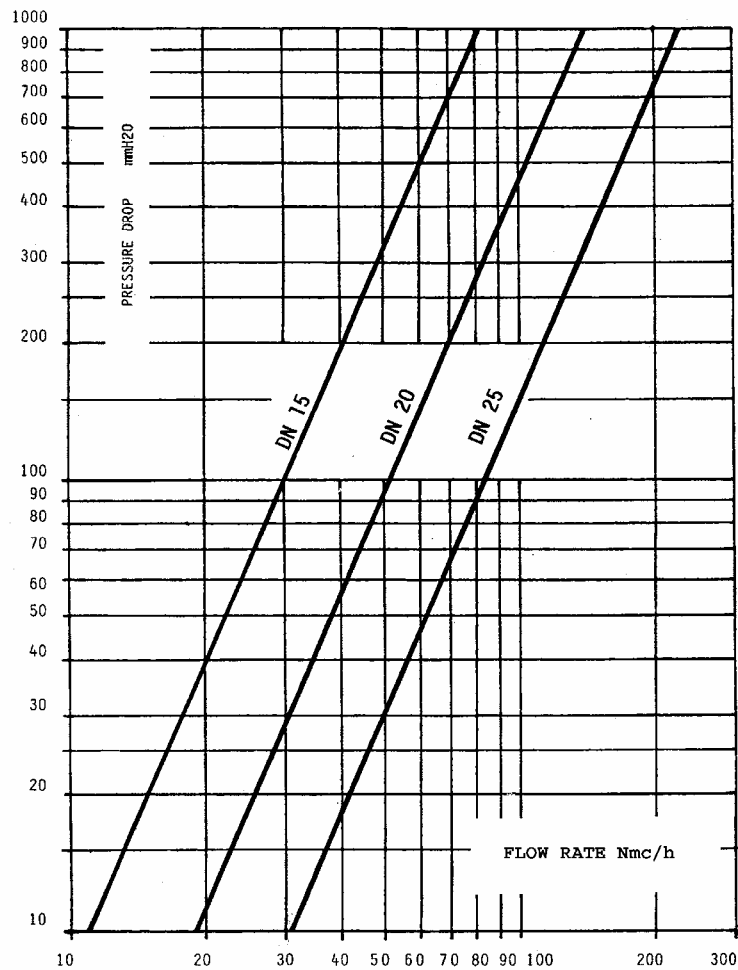




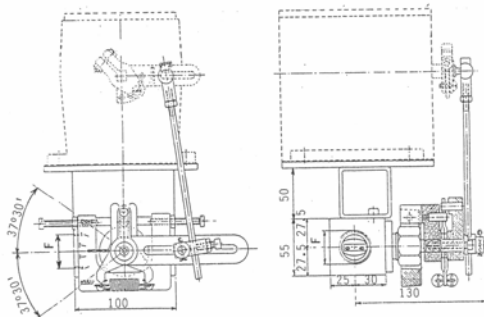
Fusar Bassini Astorre e C. Snc

BUTTERFLY VALVES FOR GAS FROM DN15 TO DN25

- Housing: aluminum
- Threaded connections UNI 338-66



Specific gravity factors: AIR (DS=1) F=0.787
LPG (DS=1.56) F=0.63



| TYPE | Ø F PIPE | Kg. |
|-------|----------|-----|
| DN 15 | 1/2" | 2,8 |
| DN 20 | 3/4" | 2,8 |
| DN 25 | 1" | 2,8 |

CAUTION: The combustion system must be designed and installed meeting the law regulations in force. If the installation, the use and the maintenance are not carried out correctly, severe damages to things or persons might occur.

Fusar Bassini Astorre e C. Snc

GAS BURNERS AND COMPONENTS FOR COMBUSTION SYSTEMS

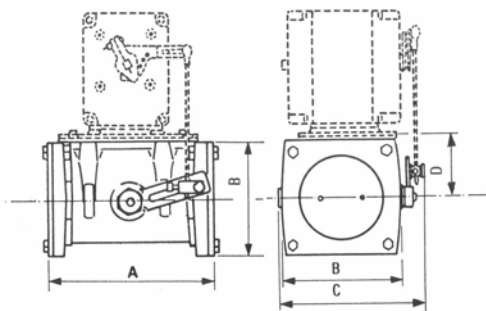
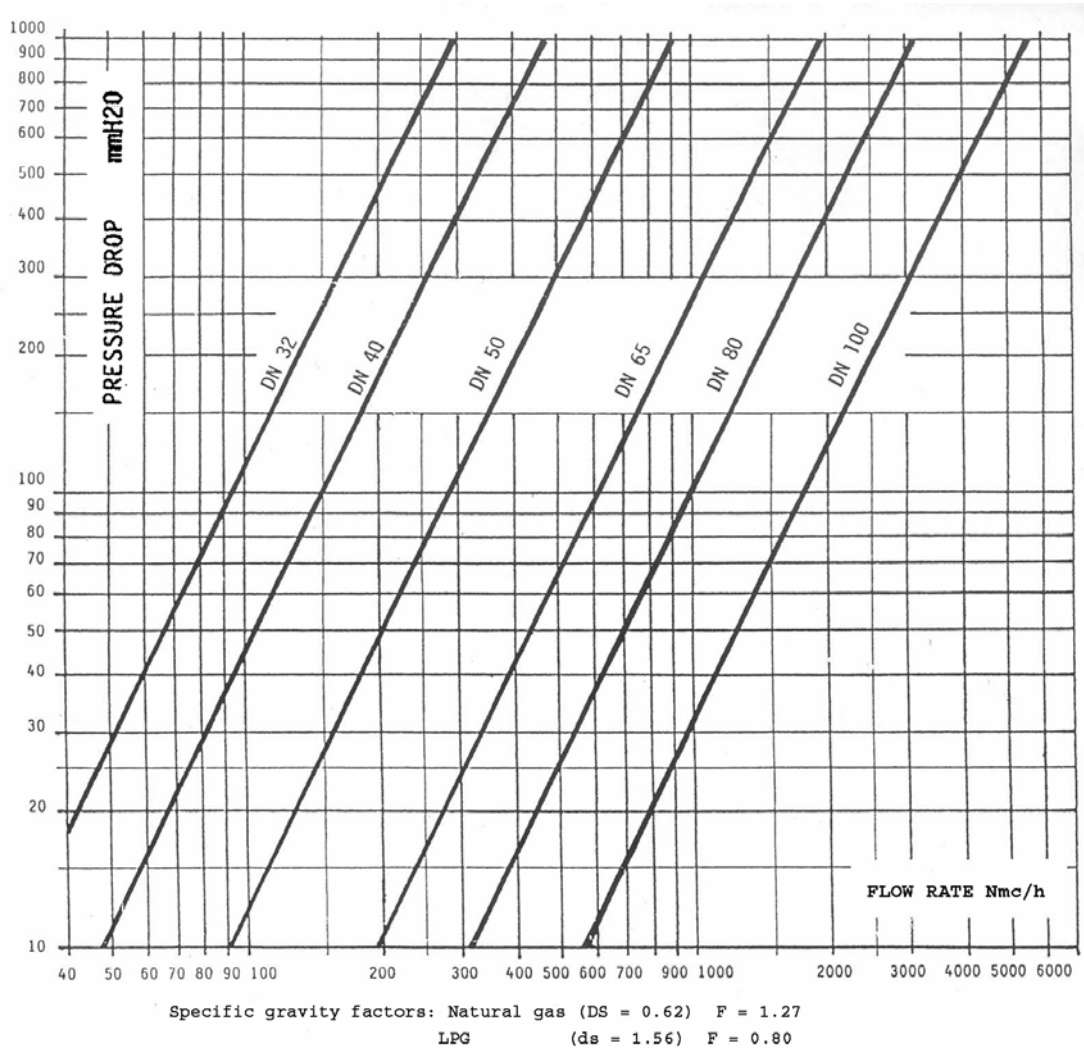
Via P.M. Ferrè, 14 -26013 CREMA (CR) Tel/Fax 0373-257594 web: www.fusarbassini.it e-mail: info@fusarbassini.it





Fusar Bassini Astorre e C. Snc BUTTERFLY VALVES FOR GAS FROM DN32 TO DN100

- Housing: aluminium
- Flanged connections with steel matching flanges, packings and bolts



| DIMENSIONS (mm) | | | | | | |
|-----------------|--------|-----|-----|-----|-----|-----|
| TYPE | Ø PIPE | A | B | C | D | Kg. |
| DN 32 | 1 ¼" | 167 | 100 | 190 | 70 | 4,5 |
| DN 40 | 1 ½" | 167 | 100 | 190 | 70 | 4,5 |
| DN 50 | 2" | 167 | 100 | 210 | 75 | 4,5 |
| DN 65 | 2 ½" | 175 | 120 | 220 | 80 | 6 |
| DN 80 | 3" | 175 | 120 | 240 | 90 | 6 |
| DN 100 | 4" | 200 | 120 | 260 | 100 | 8,3 |

CAUTION: The combustion system must be designed and installed meeting the law regulations in force. If the installation, the use and the maintenance are not carried out correctly, severe damages to things or persons might occur.

Fusar Bassini Astorre e C. Snc

GAS BURNERS AND COMPONENTS FOR COMBUSTION SYSTEMS

Via P.M. Ferrè, 14 -26013 CREMA (CR) Tel/Fax 0373-257594 web: www.fusarbassini.it e-mail: info@fusarbassini.it

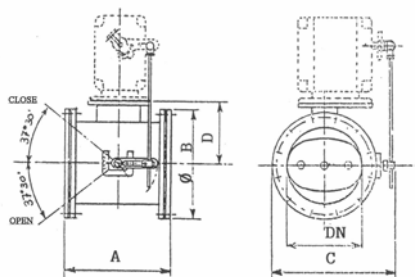
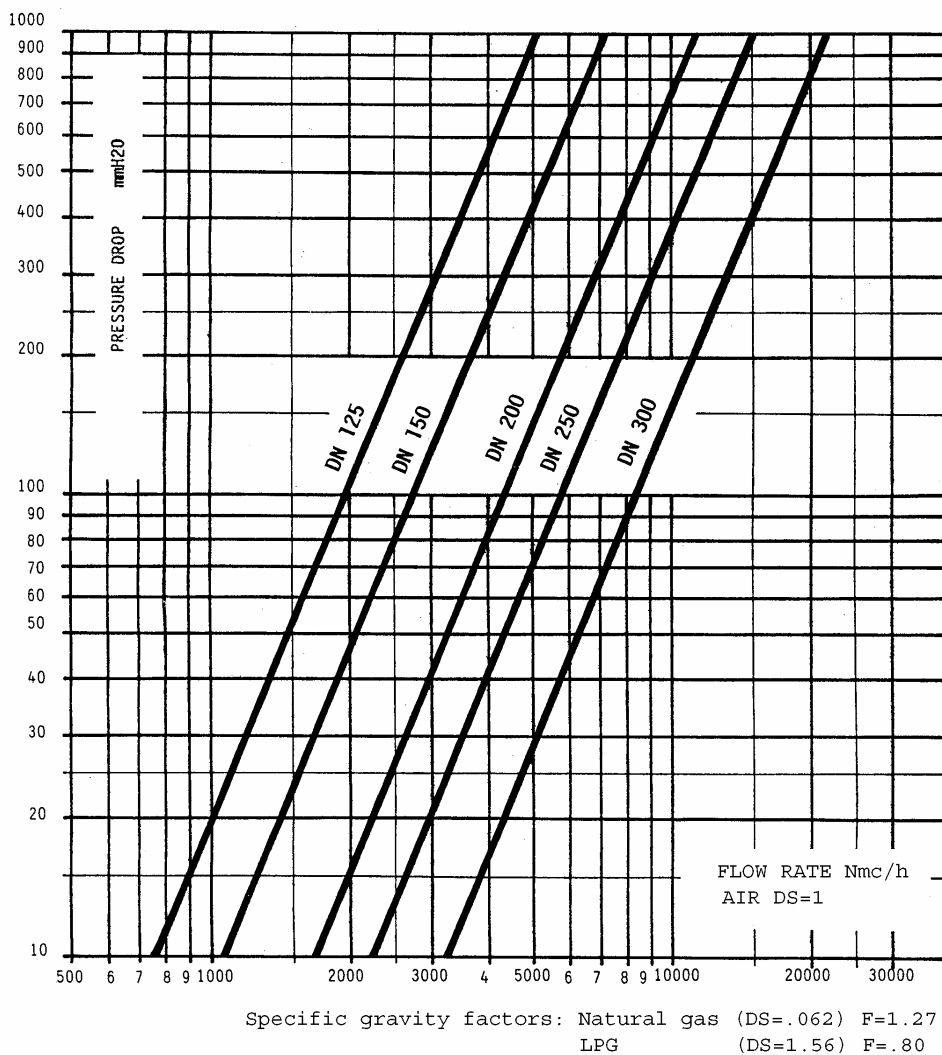




Fusar Bassini Astorre e C. Snc

BUTTERFLY VALVES FOR GAS FROM DN125 TO DN 300

- Housing: aluminium
- Flanged connections with steel matching flanges, packings and bolts



| DIMENSIONS (mm) | | | | | | |
|-----------------|--------|-----|-----|-----|-----|-----|
| TYPE | Ø PIPE | A | B | C | D | Kg. |
| DN 125 | 5" | 180 | 210 | 285 | 115 | 16 |
| DN 150 | 6" | 215 | 230 | 305 | 125 | 17 |
| DN 200 | 8" | 260 | 295 | 370 | 155 | 33 |
| DN 250 | 10 " | 270 | 375 | 430 | 160 | 57 |
| DN 300 | 12" | 320 | 440 | 480 | 190 | 80 |

CAUTION: The combustion system must be designed and installed meeting the law regulations in force. If the installation, the use and the maintenance are not carried out correctly, severe damages to things or persons might occur.

Fusar Bassini Astorre e C. Snc

GAS BURNERS AND COMPONENTS FOR COMBUSTION SYSTEMS

Via P.M. Ferrè, 14 -26013 CREMA (CR) Tel/Fax 0373-257594 web: www.fusarbassini.it e-mail: info@fusarbassini.it

