



# Fusar Bassini Astorre e C. Snc GAS ADJUSTER DP SERIES

## DESCRIPTION

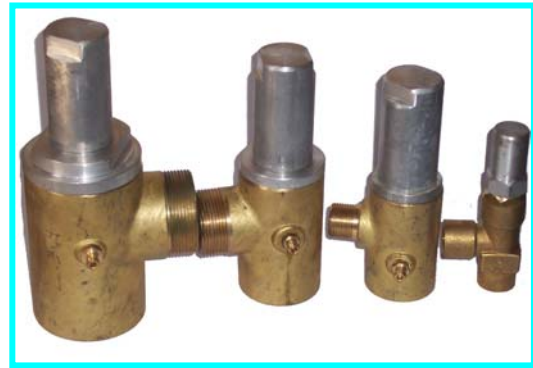
Gas adjuster DP series is designed and assembling to regulate the gas flow in the combustion systems at the low pressure.

**Diameter of flanged connection:** from 1/2" to 2"

Type of gas : natural gas, LPG

Max gas pressure: 300 mbar

Temperature range : between -10°C to + 70°C



## INSTALLATION

Gas adjuster can be installed in whichever position.

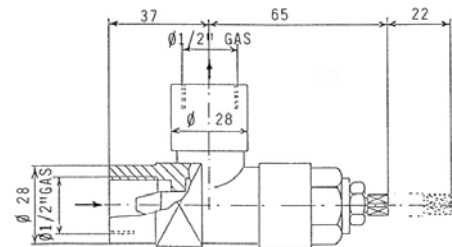
For the threaded connections use the sealing material admitted by the normative one. To check the estate treat the attacks with soap.

## TECHNICAL DATA

- Housing brass
- Threaded connections
- Inside components: brass and aluminium
- Tight on micrometrical regulator: synthetic rubber
- Locking set screw regulation: steel
- Security cap: steel with packing

**CAUTION : gas adjuster are not to hermethic estate and shall not be used as a safety shutdown device.**

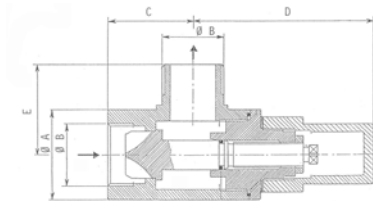
## DIMENSIONS ADJUSTER DP-15



TYPE	A mm	B mm	C mm	D mm	E mm	DIAMETER mm
DP-20	50	3/4" GAS	50	120	50	20
DP-25	50	1" GAS	50	120	50	25
DP-32	60	1 1/4" GAS	60	125	60	32
DP-40	60	1 1/2" GAS	60	125	60	38
DP-50	80	2" GAS	77	140	74	47

## DIMENSIONS

ADJUSTER DP-20, DP-25, DP-32, DP-40,  
DP-50



**CAUTION: The combustion system must be designed and installed meeting the law regulations in force. If the installation, the use and the maintenance are not carried out correctly, severe damages to things or persons might occur.**

## Fusar Bassini Astorre e C. Snc

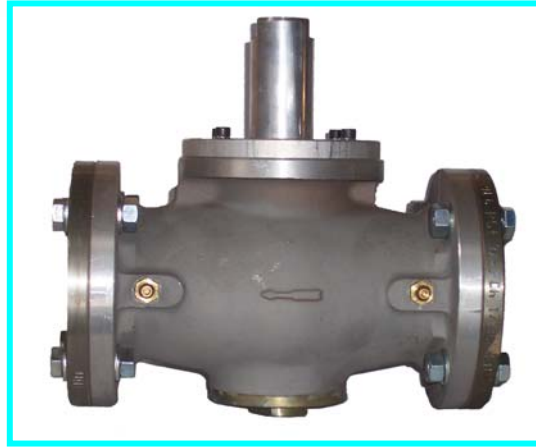
GAS BURNERS AND COMPONENTS FOR COMBUSTION SYSTEMS

Via P.M. Ferrè, 14 -26013 CREMA (CR) Tel/Fax 0373-257594 web: [www.fusarbassini.it](http://www.fusarbassini.it) e-mail: [info@fusarbassini.it](mailto:info@fusarbassini.it)

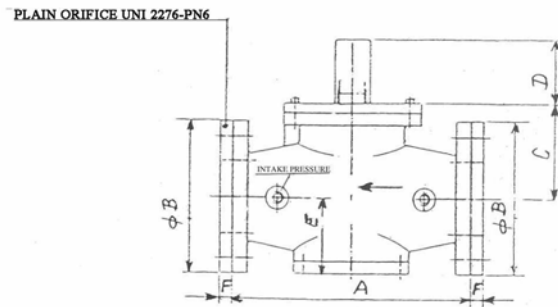
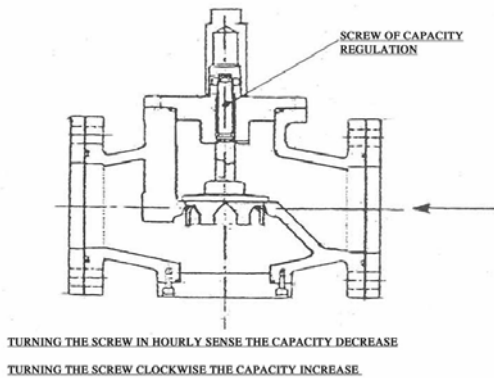




# Fusar Bassini Astorre e C. Snc GAS ADJUSTER LP SERIES



**Diameter of flanged connection:** from 2 ½" to 3"



## DIMENSIONS

TYPE	A	Ø B	C	D	E	F	DIAMETER
LP-65	242	160 DN65	100	80	90	14	67
LP-80	296	190 DN80	118	80	93	16	82

**CAUTION:** The combustion system must be designed and installed meeting the law regulations in force. If the installation, the use and the maintenance are not carried out correctly, severe damages to things or persons might occur.

## Fusar Bassini Astorre e C. Snc

GAS BURNERS AND COMPONENTS FOR COMBUSTION SYSTEMS

Via P.M. Ferrè, 14 -26013 CREMA (CR) Tel/Fax 0373-257594 web: [www.fusarbassini.it](http://www.fusarbassini.it) e-mail: [info@fusarbassini.it](mailto:info@fusarbassini.it)

