

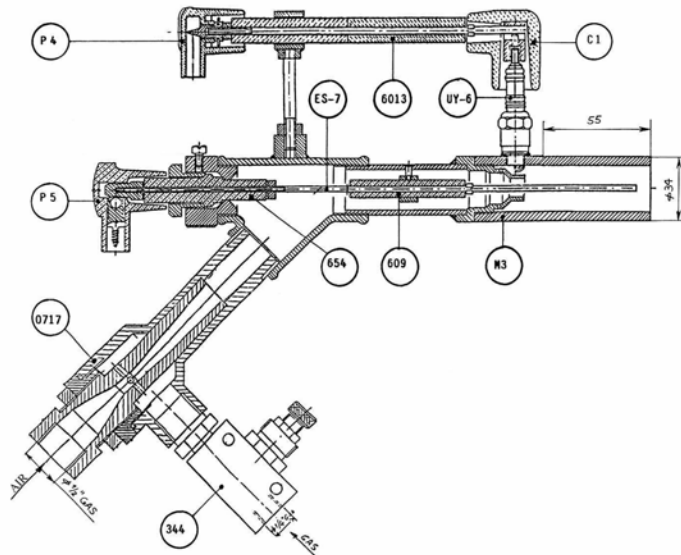
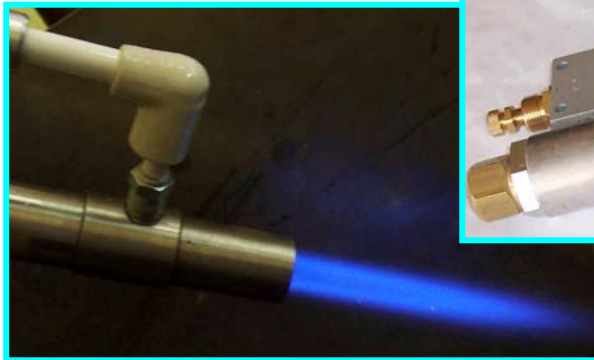


Fusar Bassini Astorre e C. Snc

# PILOT BURNER 0717-A

With electrode probe fully incorporated and plug

- **MAXIMUM POWER EFFICIENCY:** 8000 Cal/ora
- **COMBUSTION AIR PRESSURE:** 300 ÷ 500 mm H<sub>2</sub>O
- **GAS PRESSURE:** 300 ÷ 600 H<sub>2</sub>O
- **HIGH VOLTAGE ELECTRIC SWITCH:** V. 8000
- **SETTING:** executed regulating the gas adjuster to the premixer as to obtain a rigid and blue flame and controlling that it marks them of the flame current is stable and of sufficient strenght



## SPARE PARTS

N.	DESCRIPTION
C1	Ceramics cap
0717	Air-gas premixer
344	Gas adjuster
M3	Pipe flame retention nozzle
ES-7	Electrod probe
UY-6	Plug
6013	Insulator
609	Insulator
654	Insulator
P4	Cap for cable A.T.
P5	Cap for cable probe

**PILOT BURNER, MAIN BURNER AND THE AUTOMATIC BURNER CONTROL UNIT MUST BE DESIGNED, INSTALLED AND SETTED MEETING THE LAW REGULATIONS IN FORCE.**

**Fusar Bassini Astorre e C. Snc**

GAS BURNERS AND COMPONENTS FOR COMBUSTION SYSTEMS

Via P.M. Ferrè, 14 -26013 CREMA (CR) Tel/Fax 0373-257594 web: [www.fusarbassini.it](http://www.fusarbassini.it) e-mail: [info@fusarbassini.it](mailto:info@fusarbassini.it)