



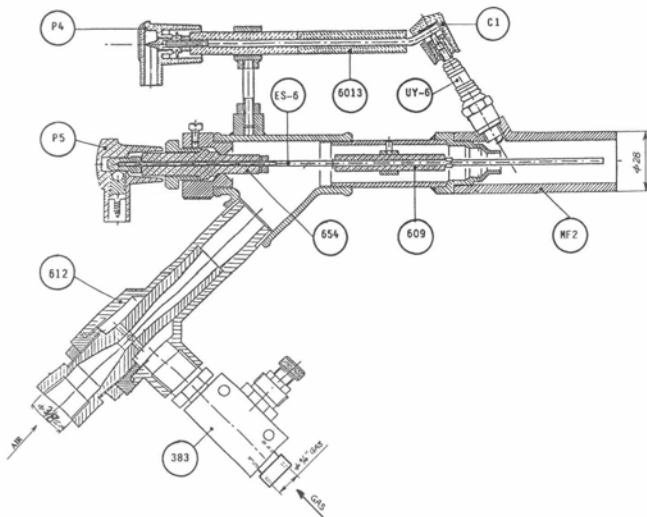
Fusar Bassini Astorre e C. Snc

PILOT BURNER 612 FP

(For flat flame burners)

With electrode probe fully incorporated and plug

- **MAXIMUM POWER EFFICIENCY:** 5000 Cal/ora
- **COMBUSTION AIR PRESSURE:** 300 ÷ 500 mm H₂O
- **GAS PRESSURE:** 300 ÷ 600 H₂O
- **HIGH VOLTAGE ELECTRIC SWITCH:** V. 8000
- **SETTING:** executed regulating the gas adjuster to the premixer as to obtain a rigid and blue flame and controlling that it marks them of the flame current is stable and of sufficient strenght.



C1	Ceramics cap
612	Air-gas premixer
383	Gas adjuster
Mf2	Pipe flame retention nozzle
ES-6	Electrod probe
UY-6	Plug
6013	Insulator
609	Insulator
654	Insulator
P4	Cap for cable A.T.
P5	Cap for cable probe
N°	DESCRIPTION
SPARE PARTS	

PILOT BURNER, MAIN BURNER AND THE AUTOMATIC BURNER CONTROL UNIT MUST BE DESIGNED, INSTALLED AND SETTED MEETING THE LAW REGULATIONS IN FORCE.

Fusar Bassini Astorre e C. Snc

GAS BURNERS AND COMPONENTS FOR COMBUSTION SYSTEMS

Via P.M. Ferrè, 14 -26013 CREMA (CR) Tel/Fax 0373-257594 web: www.fusarbassini.it e-mail: info@fusarbassini.it