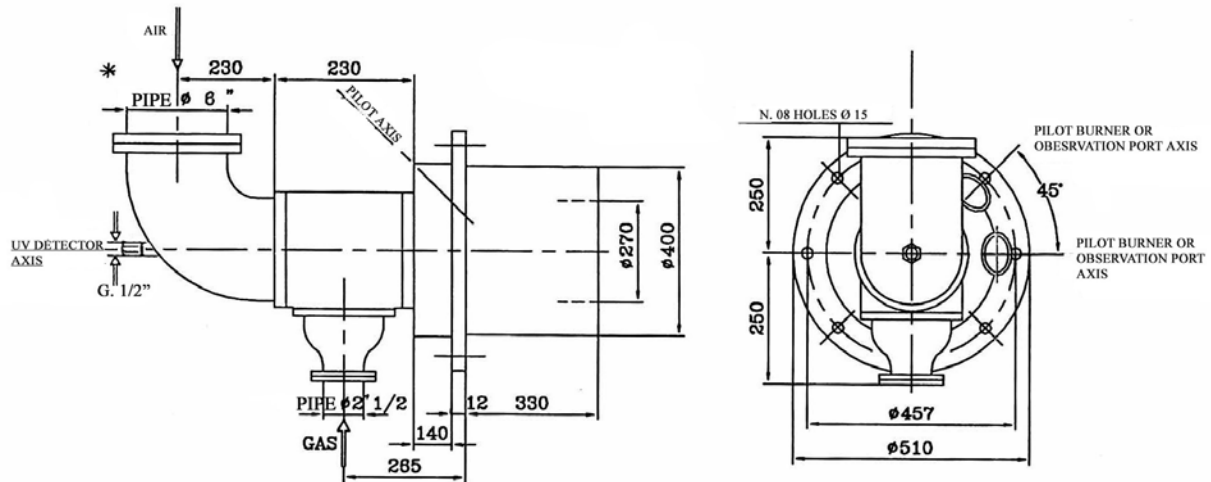




# Fusar Bassini Astorre e C. Snc TB-120 BURNER



## TB-120 BURNER

**GASES:** \* Natural gas to be specified with order  
\* Liquid gas – LPG

**GAS PRESSURE:** 300 – 500 mm H<sub>2</sub>O

**CAPACITY:** The burner capacity depends EXCLUSIVELY by air pressure, gauged upstream of the burner

BURNER CAPACITY Kcal/h WITH AIR PRESSURE IN mm H <sub>2</sub> O												
AIR PRESSURE	10	25	50	100	150	200	250	300	400	500	600	700
NATURAL GAS	162000	257000	363000	513000	629000	726000	812000	889000	1027000	1148000	1258000	1358000

## Fusar Bassini Astorre e C. Snc

GAS BURNERS AND COMPONENTS FOR COMBUSTION SYSTEMS

Via Ferrè 14 -26013 CREMA (CR) Tel/Fax 0373-257594 web: [www.fusarbassini.it](http://www.fusarbassini.it) e-mail: [info@fusarbassini.it](mailto:info@fusarbassini.it)